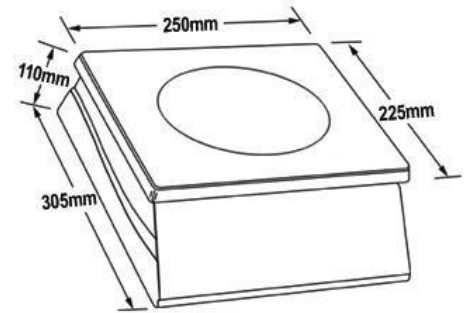


SHEKEL SCALES

TEL: 04-6629100

e-mail: sales@shekelonline.com

www.shekelonline.co.il



Pricing Scale

BEP Series

Feature

- 16.5mm Dual side- LCD display (customer and vendor side)
- Auto Zero-Point Tracking
- Tare Function
- Give-Change Function
- Weight Unit Setting: kg/ 100g available
- Accumulation Function (up to 99 data accumulation and 45 data recall)
- Low Power & Charging Status Indication
- External Digital-Calibration
- Adjustable and Nonskid Rubber Feet
- In-use Cover for Water-Splash Proof

⇒ Option:

- Backlight
- RS232 Interface
- Stainless Steel Platter

Model	Capacity	Division 1/3000
BEP-3	3kg	1g
BEP-6	6kg	2g
BEP-15	15kg	5g
BEP-30	30kg	10g

1. Dimensions:
Scale: 250mm×305mm×110mm (W×D×H)
Platter: 250mm×225mm (W×D)
2. Power Source:
DC: 4Ah/ 6V Rechargeable Battery (160 hours without Backlight)
AC: 110V or 220V ±10%, 50Hz/60Hz
3. Operation Temperature: -10°C ~ 40°C (14°F ~ 104°F)
4. Humidity: <80%
5. Packing:
Shipping Carton: 3 units/CTN; 3 CUFT
N.W.: 12.00 kg/ G.W.: 14.00 kg