



BEP-Price Computing Scale

User Manual

SHEKEL SCALES (2008) LTD - Sales & Marketing: +972-4-662-9132
Ziporit Industrial Zone, Hamerkava 7 St. , P.O.B 880, Nof Hagalil, Israel
Email: info@shekelonline.com | www.shekelonline.com



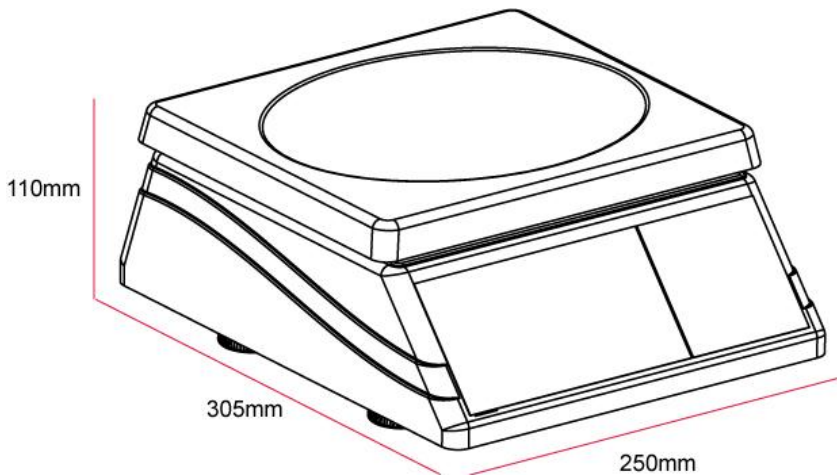
Cautions

- Upon receiving the scale, please take at least 8 hours to recharge the battery (refer to page 10) before you start to operate this scale.
- Please recharge the battery after a long period of storage (more than one month). It takes 8~10 hours to fully recharge the battery.
- Please assemble the platter before powering on the scale.
- Do not keep the weight placed on the platter for a long period.
- Keep the scale away from the environment with high temperature, high humidity, heavy press, and heavy bump.
- Always make sure the scale is located in a flat and plane surface.

SHEKEL SCALES (2008) LTD - Sales & Marketing: +972-4-662-9132
Ziporit Industrial Zone, Hamerkava 7 St. , P.O.B 880, Nof Hagalil, Israel
Email: info@shekelonline.com | www.shekelonline.com

Dimensions

■ Tabletop scale



SHEKEL SCALES (2008) LTD - Sales & Marketing: +972-4-662-9132
Ziport Industrial Zone, Hamerkava 7 St. , P.O.B 880, Nof Hagalil, Israel
Email: info@shekelonline.com | www.shekelonline.com



Symbols on LCD

■ ZERO Indication (◀):

◀ cursor appears on the left edge of LCD Display (right of **ZERO** printed on the display-overlay), and indicates the scale is at zero-point.

■ NET Weight Indication (◀):

◀ cursor appears on the left edge of LCD Display (right of **NET** printed on the display-overlay), This cursor indicates the tare weight has been deducted.

■ Accumulation Indication (◀):

◀ cursor appears on the left edge of Total Price LCD (***right of M+ printed on the display-overlay***), and indicates the memory bank has stored accumulative data of weight, unit price, and total price.

!!! Notice: This cursor is available for the scale with accumulation function only.



■ Indication of Weighing Range (▶) :

▶ cursor appears on the right edge of Total Price LCD (left of **W1** or **W2** printed on the display-overlay), and indicates the present weighing range to be **Weighing Range 1 (W1)** or **Weighing Range 2 (W2)**.

!! Notice: The indication of weighing range is only available for the scale / indicator with multi-range (2 ranges) only.

■ Indication of kg 、 100g Weighing Unit (▶) :

▶ cursor will flash on the right edge of LCD Display (left of **kg**, **100g** printed on the display-overlay), This cursor indicates the present weighing unit.

■ Battery Symbol (- LO -) :

- **LO** - appears on the middle of QUANTITY LCD, and indicates the battery is running in low-voltage status.

Operation Instructions

SHEKEL SCALES (2008) LTD - Sales & Marketing: +972-4-662-9132
Ziport Industrial Zone, Hamerkava 7 St. , P.O.B 880, Nof Hagalil, Israel
Email: info@shekelonline.com | www.shekelonline.com



■ Status of the Battery :

When LCD indicates - **L0** - and the scale sounds **beep beep beep** every thirty-minute, it means the battery is running in low-voltage status. LCD will indicate - **L0** - continuously for reminding the user to recharge the battery. If the battery is still running in low-voltage status without being recharged, LCD will indicate - **OFF**- and the scale will sound **beep** repeatedly. Please power of the scale and recharge the battery (refer to page 10) immediately.

■ 0 ~ 9 :

- (1) Pressing these keys to key in the unit price.
- (2) Press and hold [**0**] key till WEIGHT LCD display shows the voltage of battery. **6.1 ~ 6.5** means the battery is running in high-voltage status. Less than **5.5** means the battery is running in low-voltage status. Please recharge the battery as soon as possible. Pressing [**C**] key could go back to normal operating-mode.



■ ●:

- (1) Pressing this key to set the decimal point for the unit price.
- (2) Press and hold [●] key till the scale sounds beep to enable or disable optional Backlight.

■ C:

Pressing this key to delete the setting of unit price. Users could key in the unit price directly without pressing [C] key while the last transaction had been finished for more than 5 seconds.

■ ZERO:

Pressing this key to make the scale be at zero-point. Left edge of LCD will indicate ◀ cursor on the right of ZERO (printed on the display-overlay).

SHEKEL SCALES (2008) LTD - Sales & Marketing: +972-4-662-9132
Ziporit Industrial Zone, Hamerkava 7 St. , P.O.B 880, Nof Hagalil, Israel
Email: info@shekelonline.com | www.shekelonline.com



■ TARE:

Pressing this key could get the net weight. Place a package or container on the platter and press this key to deduct the tare weight, WEIGHT LCD will show **0.000** and indicate ▼ cursors on the right of **ZERO** and **NET** (printed on the display-overlay).

■ CHANGE:

Pressing this key to operate money-change function.
Example:

When TOTAL LCD shows \$17.15, and the customer gives \$20.00. Press [**CHANGE**] key once, and then key in **20**. LCDs will show:

WEIGHT	20	(amount from the customer)
UNIT PRICE	17.15	(total amount of transaction)
TOTAL PRICE	C 2.85	(return to the customer)

SHEKEL SCALES (2008) LTD - Sales & Marketing: +972-4-662-9132

Ziporit Industrial Zone, Hamerkava 7 St. , P.O.B 880, Nof Hagalil, Israel

Email: info@shekelonline.com | www.shekelonline.com



■ UNIT:

Press this key once, WEGIHT LCD will indicate **ch9 -**, and then press [1] or [2] key to select the weighing mode:

- Press [1] key to select **kg** mode.
- Press [2] key to select **100g** mode.

■ PLU:

There are 100 sets of indirect PLU (PLU00 ~ PLU99) on this model.

Example (1): Save **1.05** into **PLU11**

1. Key in the unit price [1] [0] [5];
2. Press [**PLU**] key once, and then press [1] key once;
3. Press and hold [1] key till the scale sounds **beep** → Finish setting, users can press [**PLU**] → [1] → [1] to recall **1.05** showed on UNIT PRICE LCD.

Example (2): Save **8.80** into **PLU25**

1. Key in the unit price [8] [8] [0];
2. Press [**PLU**] key once, and then press [2] key once.
3. Press and hold [5] key till the scale sounds **beep**

SHEKEL SCALES (2008) LTD - Sales & Marketing: +972-4-662-9132
Ziporit Industrial Zone, Hamerkava 7 St. , P.O.B 880, Nof Hagalil, Israel
Email: info@shekelonline.com | www.shekelonline.com



→ Finish setting, users can press [**PLU**] → [**2**] → [**5**] to recall **8.80** showed on UNIT PRICE LCD.

For modifying the setting figures, please key in a new unit price and follow directly step 2 and step 3 as above.

■ **M1 ~ M3:**

3 direct PLU for saving the unit prices.

Example:

Save **7.50** into **M3** memory bank

Key in [**7**] [**5**] [**0**] >> Press and hold [**M3**] key till the scale sounds **beep** >> Finish setting.

At this moment, pressing [**M3**] key could recall \$7.50 showed on UNIT PRICE LCD. To modify the setting figure of **M3**, please just follow the above steps again.

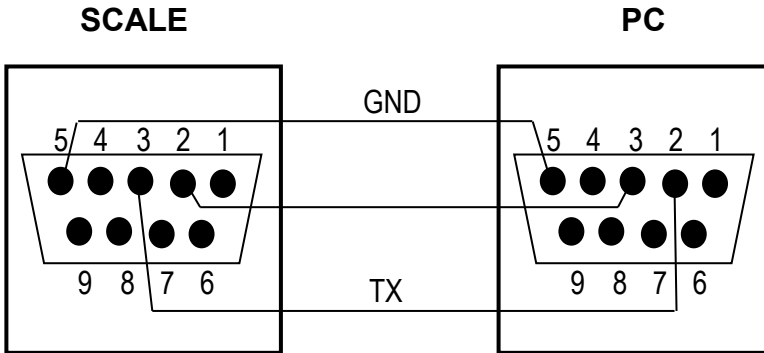
※ Press **M2** key to send out weighing data to printer when equip with RS232 Interface.

SHEKEL SCALES (2008) LTD - Sales & Marketing: +972-4-662-9132

Ziporit Industrial Zone, Hamerkava 7 St. , P.O.B 880, Nof Hagalil, Israel

Email: info@shekelonline.com | www.shekelonline.com

RS232 Interface Connection: <optional device>



RS232 Wiring Configuration:

Baud Rate: **4800 OR 9600**

Parity: **None**

Stop Bit: **1**

Data Bit: **8**

SHEKEL SCALES (2008) LTD - Sales & Marketing: +972-4-662-9132
Ziport Industrial Zone, Hamerkava 7 St. , P.O.B 880, Nof Hagalil, Israel
Email: info@shekelonline.com | www.shekelonline.com



Recharge the Battery

Power off the scale and connect the power cord to an AC outlet. CHARGE LED will indicate the ongoing status of the battery. It takes about **8~10 hours** to fully recharge the battery.

CHARGE LED:

Color of LED	Status of the battery
RED	Initial Connection
GREEN	Fully-charged

Power Supply

- AC: 110V/60Hz $\pm 10\%$ or
220V/50Hz $\pm 10\%$
- DC: 6V DC / 25mA rechargeable battery;
P=0.2W(max)

SHEKEL SCALES (2008) LTD - Sales & Marketing: +972-4-662-9132
Ziporit Industrial Zone, Hamerkava 7 St. , P.O.B 880, Nof Hagalil, Israel
Email: info@shekelonline.com | www.shekelonline.com